

EXPLODED VIEW & PARTS LISTING

Air Operated Double Diaphragm Pump

Model: DP-40BS[x]-HD (XDP)
Stainless Steel Series



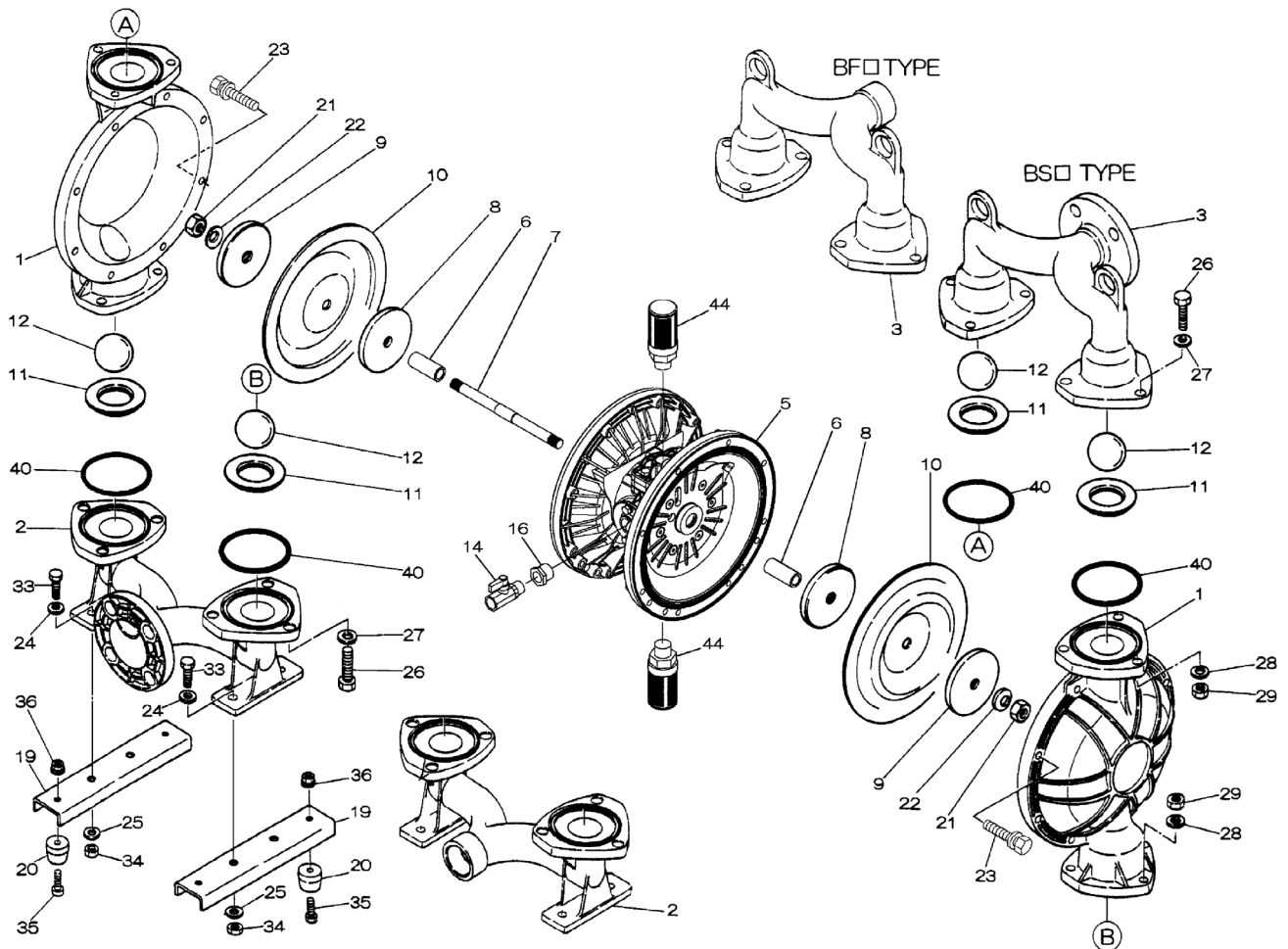
To Purchase:

- 800-990-7867
- sales@yamadapump.com
- Find My Rep

More Information:

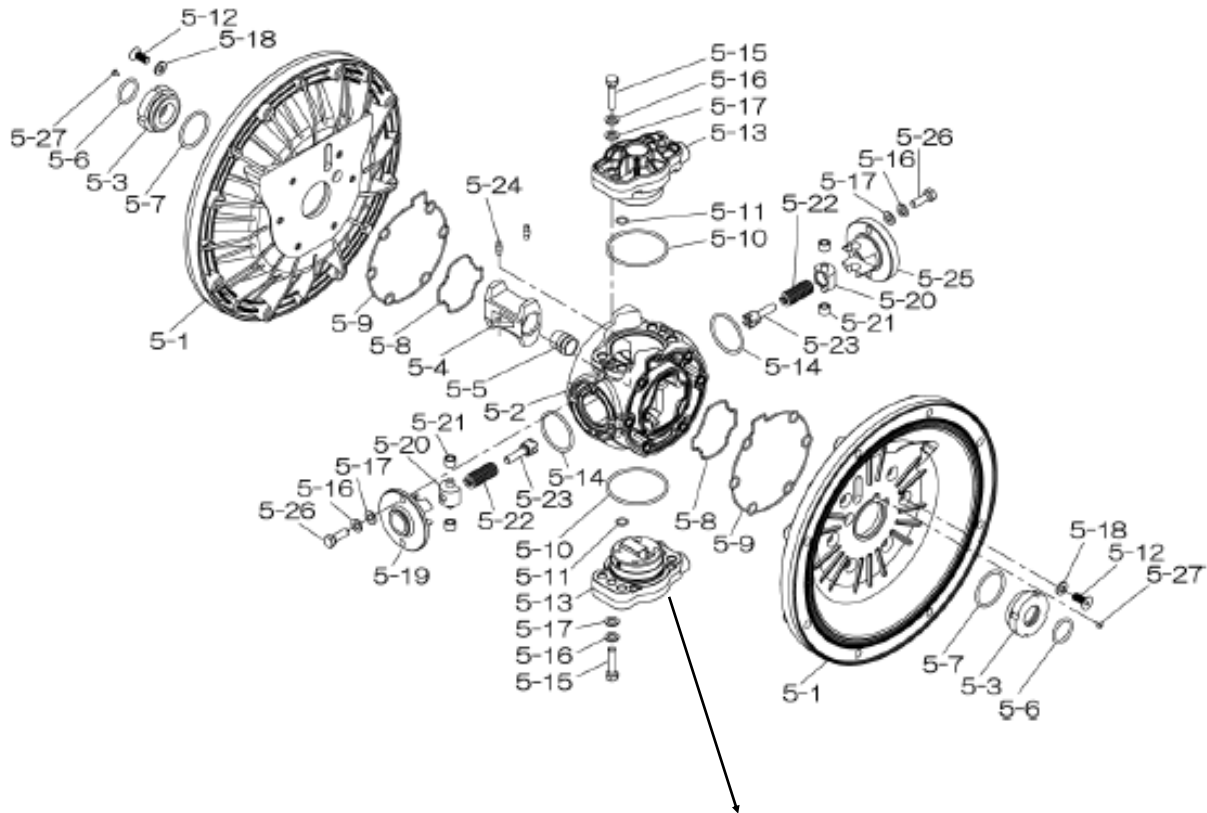
- YouTube: @yamadapump
- yamadapump.com
- Data Sheets | CAD Drawings | Manuals Literature | BOM | Performance Curves

Trial Program

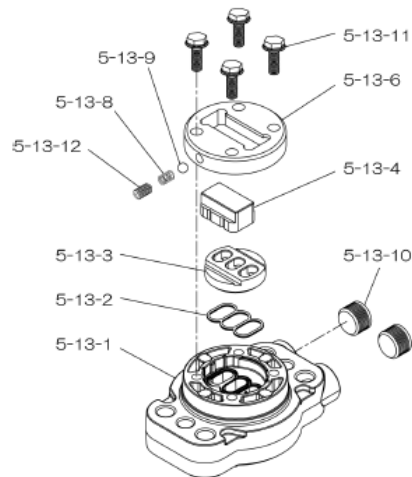


Air Operated Double Diaphragm Pump

804770 Center Body Assembly



804784 Valve Body Assembly



Air Operated Double Diaphragm Pump

REF NO.	PART No.	PART No.	PART No.	PART No.	PART No.	PART No.	DESCRIPTION	QTY.	REORDER
NPT	854362	854369	854363	854365	854368	854366	**NPT PUMPS**		
FLANGE	854357	854362	854256	854358	854361	854398	**FLANGE PUMPS**		
1	712931	712931	712931	712931	712931	712931	OUT CHAMBER	2	
2	712599	712599	712599	712599	712599	712599	IN MANIFOLD FLANGE	1	
2	712601	712601	712601	712601	712601	712601	IN MANIFOLD NPT	1	
3	712598	712598	712598	712598	712598	712598	OUT MANIFOLD FLANGE	1	
3	712600	712600	712600	712600	712600	712600	OUT MANIFOLD NPT	1	
5	804770	804770	804770	804770	804770	804770	CENTER BODY ASSY DP-40-HD	1	
5- 1	716215	716215	716215	716215	716215	716215	AIR CHAMBER	2	
5- 2	716256	716256	716256	716256	716256	716256	BODY	1	
5- 3	773048	773048	773048	773048	773048	773048	THROAT BEARING	1	
5- 4	716214	716214	716214	716214	716214	716214	SHUTTLE	2	
5- 5	773047	773047	773047	773047	773047	773047	CENTER ROD GUIDE	2	
5- 6	640023	640023	640023	640023	640023	640023	O-RING	2	
5- 7	640133	640133	640133	640133	640133	640133	O-RING	2	
5- 8	773040	773040	773040	773040	773040	773040	GASKET	2	
5- 9	773041	773041	773041	773041	773041	773041	GASKET	8	
5-10	640138	640138	640138	640138	640138	640138	O-RING	12	
5-11	640007	640007	640007	640007	640007	640007	O-RING	2	
5-12	683812	683812	683812	683812	683812	683812	FLAT SOCKET	1	
5-13	804784	804784	804784	804784	804784	804784	VALVE BODY ASSY	1	
5-13- 1	716244	716244	716244	716244	716244	716244	VALVE BODY	1	
5-13- 2	773042	773042	773042	773042	773042	773042	GASKET	2	
5-13- 3	716246	716246	716246	716246	716246	716246	SEAT	1	
5-13- 4	773425	773425	773425	773425	773425	773425	BLOCK	1	
5-13- 6	773426	773426	773426	773426	773426	773426	GUIDE PLATE	1	
5-13- 8	706612	706612	706612	706612	706612	706612	SPRING INK	2	
5-13- 9	686271	686271	686271	686271	686271	686271	BALL	4	
5-13-10	772934	772934	772934	772934	772934	772934	PLUG	1	
5-13-11	602300	602300	602300	602300	602300	602300	TAPPING BOLT	2	
5-13-12	610025	610025	610025	610025	610025	610025	HEX SOCKET HEAD SCREW	4	
5-14	640134	640134	640134	640134	640134	640134	O-RING	8	
5-15	611153	611153	611153	611153	611153	611153	BOLT	8	
5-16	631420	631420	631420	631420	631420	631420	SPRING WASHER	12	
5-17	631013	631013	631013	631013	631013	631013	FLAT WASHER	1	
5-18	684987	684987	684987	684987	684987	684987	WASHER	2	
5-19	716249	716249	716249	716249	716249	716249	RETAINER	4	
5-20	713620	713620	713620	713620	713620	713620	SPRING GUIDE	2	
5-21	773067	773067	773067	773067	773067	773067	BUSH	2	
5-22	684537	684537	684537	684537	684537	684537	SPRING	2	
5-23	714446	714446	714446	714446	714446	714446	TRIP ARM	1	
5-24	700231	700231	700231	700231	700231	700231	PIN	4	
5-25	716216	716216	716216	716216	716216	716216	RETAINER	2	
5-26	611149	611149	611149	611149	611149	611149	BOLT	2	
5-27	686337	686337	686337	686337	686337	686337	TAPPING SCREW	2	
6	716219	716219	716219	716219	716219	716219	CENTER BUSH	2	
7	716218	716218	716218	716218	716218	716218	CENTER ROD	1	
8	711902	711902	711902	711902	711902	711902	CENTER DISK 40-R	2	
9	711903	711903	711903	711903	711903	711903	CENTER DISK 40SS	2	
10	771700	771975	771853	771854	771701	771799	DIAPHRAGM	2	
11	771994	772003	771956	771921	771793	771997	VALVE SEAT	4	
12	770584	773172	770550	770593	773142	770602	BALL	4	
14	684321	684321	684321	684321	684321	684321	BALL VALVE	1	
16	684339	684339	684339	684339	684339	684339	BUSHING	1	
19	711911	711911	711911	711911	711911	711911	BASE	2	
20	771402	771402	771402	771402	771402	771402	FOOT RUBBER	4	

Air Operated Double Diaphragm Pump

REF NO.	PART No.	PART No.	PART No.	PART No.	PART No.	PART No.	DESCRIPTION	QTY.	REORDER
NPT	854362	854369	854363	854365	854368	854366	***NPT PUMPS**		
FLANGE.	854357	854362	854256	854358	854361	854398	**FLANGE PUMPS**		
21	683408	683408	683408	683408	683408	706128	NUT	2	
22	682740	682740	682740	682740	682740	682740	WASHER	2	
23	621180	621180	621180	621180	621180	621180	BOLT	16	
24	631174	631174	631174	631174	631174	631174	FLAT WASHER	4	
25	631937	631937	631937	631937	631937	631937	WAVE WASHER	20	
26	621202	621202	621202	621202	621202	621202	BOLT	12	
27	631175	631175	631175	631175	631175	631175	FLAT WASHER	12	
28	631938	631938	631938	631938	631938	631938	WAVE WASHER	12	
29	628014	628014	628014	628014	628014	628014	NUT	12	
33	621175	621175	621175	621175	621175	621175	BOLT	4	
34	628013	628013	628013	628013	628013	628013	NUT	4	
35	611149	611149	611149	611149	611149	611149	BOLT	4	
36	682276	682276	682276	682276	682276	682276	NUT W/ FLANGE	4	
40	640065	683999	640065	683999	640065	642065	O-RING	4	
44	804697	804697	804697	804697	804697	804697	MUFFLER	2	
KIT	K40-MN	K40-MS	K40-MC	K40-ME	K40-MH	K40-MV	LIQUID SIDE		
KIT	K45-AM-DP-HD						AIR MOTOR		

General Tools:

- Socket wrench - 24mm
- Hexagonal box wrench - 5mm, 6mm
- Small crowbars - 2 (B_C, B_N, B_E, B_V)
- Open-end wrenches - 19mm, 24mm
- Phillips head screw driver

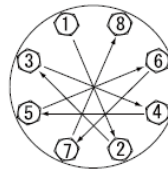
Special Tools:

- Socket (804129) for a guide to remove the throat bearing (sold separately)

Miscellaneous:

- Assembly Oil - Turbine oil class 1 (equivalent to ISA VGA32 grade)
- Nuts - M16 x 1.5
- Thread locker
- Urea grease grade (NLGI) No. 2, Shell Alvania Grease S1

Torque Requirements:



Tightening torque for center rod and out chambers.

Center Rod 43 ft-lbf {60 N-m}
Out Chambers 29 ft-lbf {40 N-m}

Tightening torque for manifold retainer bolts.

BS[x]-HD 18 ft-lbf {25 N-m}

Customer Notes

Model #: _____
 Description: _____
 Serial #: _____
 Date Installed: _____
 Department Location: _____
 Tag/Project: _____